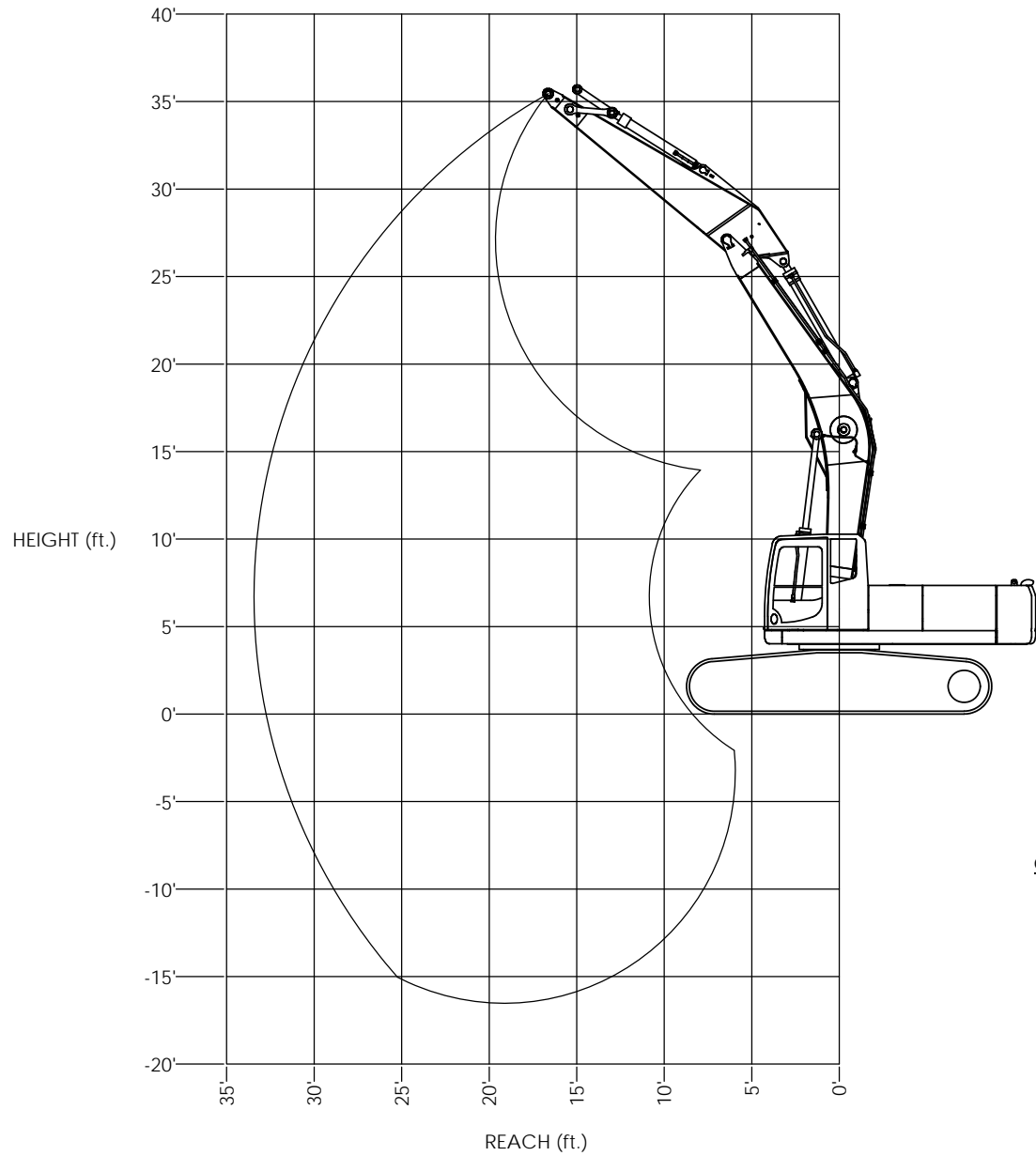


REVISIONS				
ZONE	REV.	DESCRIPTION	DATE	APPROVED



CONFIGURATION:
 21'-3" BOOM (WITH DUAL PIN POSITIONS FOR BOOM CYLINDERS)
 13'-2" ARM

MATERIAL:		
DESIGN	SCALE	DATE
APPROVED	BY	3/17/13
LEG. APPR.		



4805 SCOOPY LANE NW
 CARROLL, OHIO 43112
 740-654-5304

The Cutting Edge of Customer Service

<small>PROPRIETARY AND CONFIDENTIAL THE INFORMATION CONTAINED HEREIN IS UNLESS OTHERWISE SPECIFIED DIMENSIONS TO DIMENSIONS ARE AS FOLLOWS: DECIMAL: 80/125" FRACTIONAL: 1/16" ANGLE: 31</small>	TITLE:	
	PC300-8/350-8/360-10 DUAL PIN BOOM - 13'-2" ARM	
SCALE: 1:40	SIZE: D	DWG./PART NO.
SHEET 1 OF 1		